



SewerMaster

GRAVITY SEWER AND DRAIN MAIN uPVC PIPING SYSTEM



-  Lower Flow Loss
-  Water and Moisture Proof
-  Easy Handling and Installation
-  High Mechanical Strength
-  Non-Corrosive
-  Built to Last

For Main Sewer System and other
Underground Waste Piping System

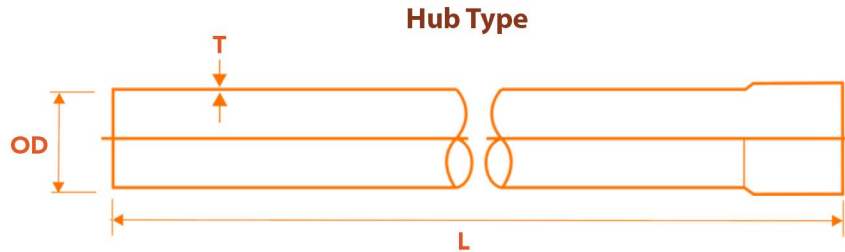


Atlanta SewerMaster can be used for Main Sewer System and other underground waste piping system which requires big diameter pipes. It is commonly specified for sewerage and drainage systems in Commercial and Industrial Factories, High-Rise Buildings and Housing Projects.

PIPE RANGE & SPECIFICATION

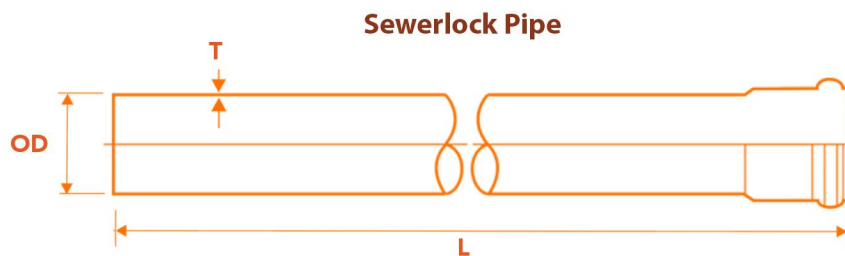
STANDARD: Conforming to PNS/ISO 4435 and ISO R-161
COLOR: Orange Brown

MATERIAL: Polyvinyl Chloride (ASTM D 1784)
WORKING PRESSURE: 50 PSI (3.45 Bars)



OUTSIDE DIAMETER (OD)	NOMINAL SIZE	LENGTH (L)	WALL THICKNESS		
			SDR 41	SDR 34 (MWSS CL-2)	SDR 26
160 mm	6 in	3 or 6 M	4.0 mm	4.7 mm	6.15 mm
200 mm	8 in	3 or 6 M	4.9 mm	5.9 mm	7.69 mm
250 mm	10 in	3 or 6 M	6.2 mm	7.3 mm	9.62 mm
315 mm	12 in	3 or 6 M	7.7 mm	9.2 mm	12.12 mm
355 mm	14 in	3 or 6 M	-	10.4 mm	13.65 mm
400 mm	16 in	3 or 6 M	-	11.7 mm	-

Joining Method : Solvent Cement



OUTSIDE DIAMETER (OD)	NOMINAL SIZE	LENGTH (L)	WALL THICKNESS		
			SDR 41	SDR 34 (MWSS CL-2)	*SDR 26
160 mm	6 in	3 or 6 M	4.0 mm	4.7 mm	6.15 mm
200 mm	8 in	3 or 6 M	4.9 mm	5.9 mm	7.69 mm
250 mm	10 in	3 or 6 M	6.2 mm	7.3 mm	9.62 mm
315 mm	12 in	3 or 6 M	7.7 mm	9.2 mm	12.12 mm
355 mm	14 in	3 or 6 M	-	10.4 mm	13.65 mm
400 mm	16 in	3 or 6 M	-	11.7 mm	-

Joining Method : Rubber Seal

*Subject for Availability


REGULAR FITTINGS
Elbow 90°

	in	
	6	M
	8	M
	10	F
	12	F
	14	F
16	F	

Elbow 45°

	in	
	6	M
	8	M
	10	F
	12	F
	14	F
16	F	

Tee

	in	
	6	M
	8	M
	10	F
	12	F
	14	F
16	F	

Wye

	in	
	6	M
	8	M
	10	M
	12	M
	14	M
16	M	


Coupling

	in	
	6	F
	8	F
	10	F
	12	F


Clean Out

	in	
	6	F
	8	F
	10	F
	12	F
	14	F
16	F	


Bushing Reducer

	in	
	6 x 3	M
	6 x 4	M
	8 x 4	F
	8 x 6	M
	10 x 3	F
	10 x 4	F
	10 x 6	F
	12 x 4	F
	12 x 6	F
12 x 8	F	
12 x 10	F	

Coupling Reducer

	in	
	6 x 2	F
	6 x 3	F
	6 x 4	M
	8 x 3	F
	8 x 4	F
	8 x 6	F
	10 x 2	F
	10 x 3	F
	10 x 4	F
	10 x 6	F
	10 x 8	F
	12 x 4	F
	12 x 6	F
12 x 8	F	
12 x 10	F	


Eccentric Reducer HT/PE

	in	
6 x 4	M	


Tee Reducer

	in		in		in	
	6 x 2	F	10 x 6	F	14 x 10	F
	6 x 3	F	10 x 8	F	14 x 12	F
	6 x 4	M	12 x 2	F	16 x 3	F
	8 x 2	F	12 x 3	F	16 x 4	F
	8 x 3	F	12 x 4	F	16 x 6	F
	8 x 4	F	12 x 6	F	16 x 8	F
	8 x 6	F	12 x 8	F	16 x 10	F
	10 x 2	F	12 x 10	F	16 x 12	F
	10 x 3	F	14 x 6	F		
10 x 4	F	14 x 8	F			

Wye Reducer


	in		in	
	6 x 2	F	12 x 3	F
	6 x 3	F	12 x 4	F
	6 x 4	M	12 x 6	F
	8 x 2	F	12 x 8	F
	8 x 3	F	12 x 10	F
	8 x 4	F	16 x 3	F
	8 x 6	F	16 x 4	F
	10 x 2	F	16 x 6	F
	10 x 3	F	16 x 8	F
	10 x 4	F	16 x 10	F
	10 x 6	F	16 x 12	F
	10 x 8	F	16 x 14	F
	12 x 2	F		

Double Wye Reducer


	in	
	6 x 2	F
	6 x 3	F
	6 x 4	F
	6 x 6	F
	8 x 3	F
	8 x 4	F
	8 x 6	F
	8 x 8	F
	10 x 4	F
	10 x 6	F
	10 x 8	F
	10 x 10	F
	12 x 4	F
	12 x 6	F
12 x 8	F	
12 x 10	F	
12 x 12	F	

SEWERLOCK FITTINGS


Sewerlock Elbow 90°

	in	
	6	F
	8	F
	10	F
	12	F
	14	F
16	F	

Sewerlock Tee

	in	
	6	F
	8	F
	10	F
	12	F
	14	F
16	F	


Sewerlock Tee Reducer

	in	
	8 x 6	F
	10 x 6	F
	10 x 8	F
	10 x 8	F
	12 x 6	F
	12 x 8	F
	12 x 10	F
	14 x 6	F
	14 x 6	F
	14 x 8	F
	14 x 10	F
	14 x 12	F
	16 x 6	F
	16 x 8	F
16 x 10	F	
16 x 12	F	
16 x 14	F	

Sewerlock Elbow 45°

	in	
	6	F
	8	F
	10	F
	12	F
	14	F
16	F	

Sewerlock Tee Reducer

	in	
	8 x 6	F
	10 x 6	F
	10 x 8	F
	10 x 8	F
	12 x 8	F
	12 x 10	F
	14 x 6	F
	14 x 8	F
	14 x 10	F
	14 x 12	F
	16 x 12	F

Sewerlock Wye

	in	
	6	F
	8	F
	10	F
	12	F
	14	F
	16	F

LEGEND : M - MOLDED
F - FABRICATED



35th Flr. Atlanta Center Bldg., No. 31 Annapolis St. Greenhills, San Juan City
 Tel. No.: 8723-0781 to 88 | Fax No.: 7744-4703 / 8584-2997
 Website: www.atlanta.ph Email Sales: marketing@atlanta.ph
 Like Us on Facebook: [atlantaindustriesincorporated](https://www.facebook.com/atlantaindustriesincorporated)
 Subscribe to Our Youtube Channel: Atlanta Industries Inc.