

# ATLANTA KITCHEN SINK

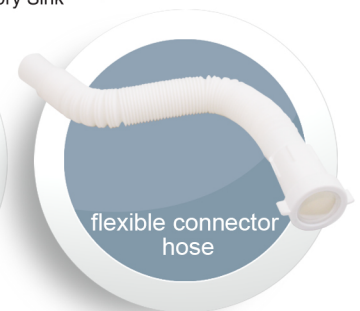


- Durable
- Economical
- Lightweight
- Faucet Ready
- Easy To Install
- Easy To Clean
- Elegant & Classy Appearance
- Comes With Stainless Strainer
- Comes With Flexible Connector Hose

EVERY **AtlantaSink** COMES WITH  
Plastic Lavatory Sink



stainless strainer



flexible connector  
hose

# ATLANTA KITCHEN SINK

## Introduction

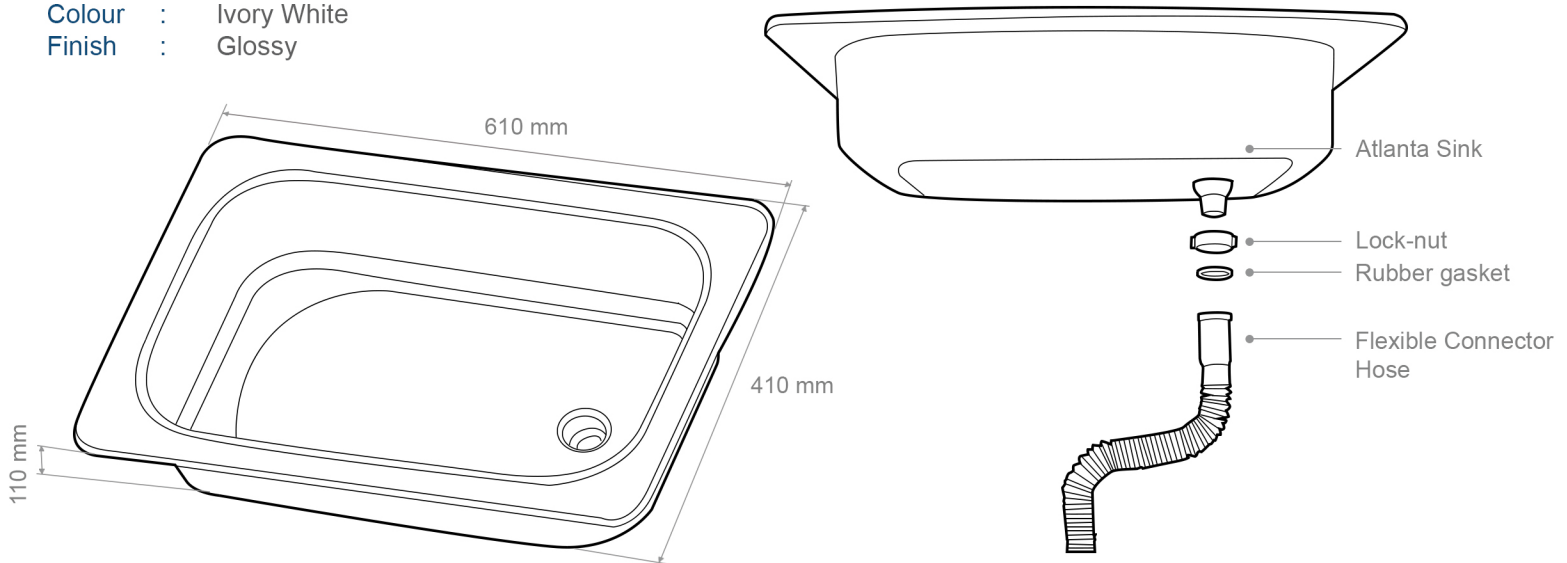
Lavatory sinks are generally made of metallic materials such as stainless steel, aluminum, or coated iron or ceramic materials. Such ceramic sinks are heavy & could easily break. Metallic sinks, on the other hand are also heavy & expensive. Further, water marks & dirt easily formed thereon, thereby cleaning should be frequently done to preserve its quality. Through time, the shine of stainless steel or aluminum sinks deteriorates due to water marks & accumulated dirt.

## Plastic Sink vs Other Materials Sink

Plastic Sink	Stainless Steel, Coated Iron & Ceramics
Quiet	Noisy
Scratches can be sanded down	Develop scratches overtime
Economical	Contributes to Maintenance Cost
Easy to Clean	Dirt can easily form & use chemicals to clean
Lightweight	Heavy
Longer Lifespan	Prone to Rust and Corrosion
Easy to Install	Requires Technical Skill to Install and Prevent Leakage & Breakage

## Specification

Material : HDPE  
 Colour : Ivory White  
 Finish : Glossy



Price: Php \_\_\_\_\_ / set



35th Flr. Atlanta Center Bldg., No. 31 Annapolis St. Greenhills, San Juan City  
 Tel. No.: 8723-0781 to 88 | Fax No.: 7744-4703 / 8584-2997  
 Website: www.atlanta.ph Email Sales: marketing@atlanta.ph  
 Like Us on Facebook: atlantaindustriesincorporated  
 Subscribe to Our Youtube Channel: Atlanta Industries Inc.